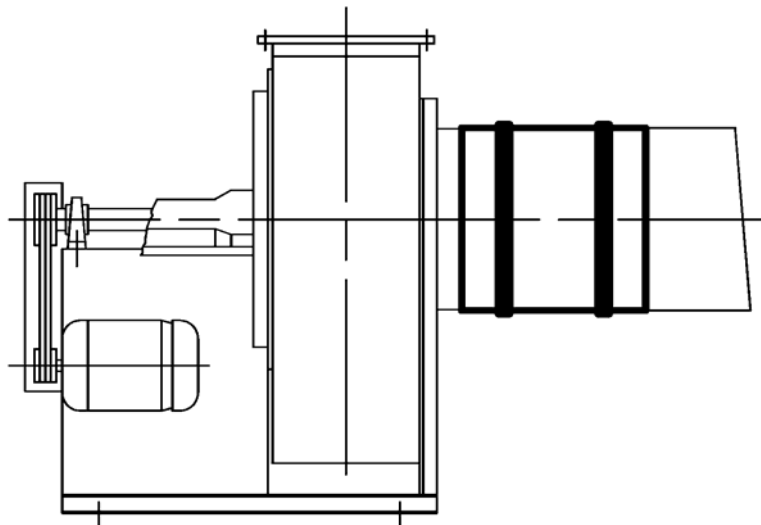
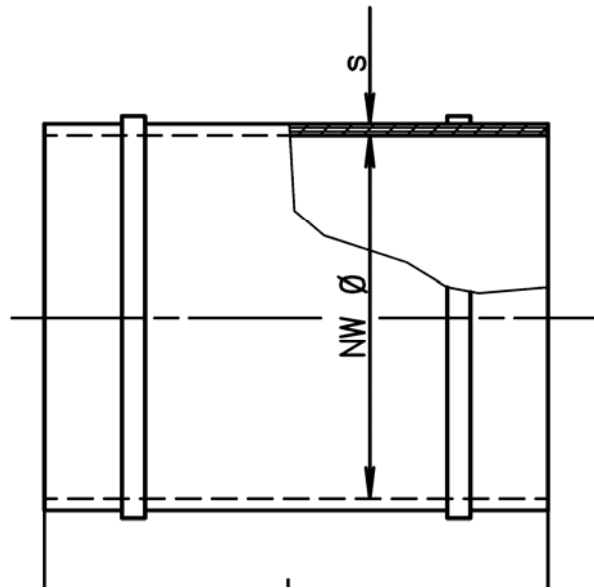
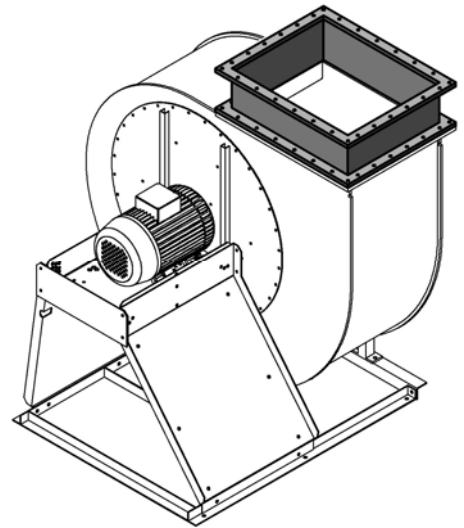
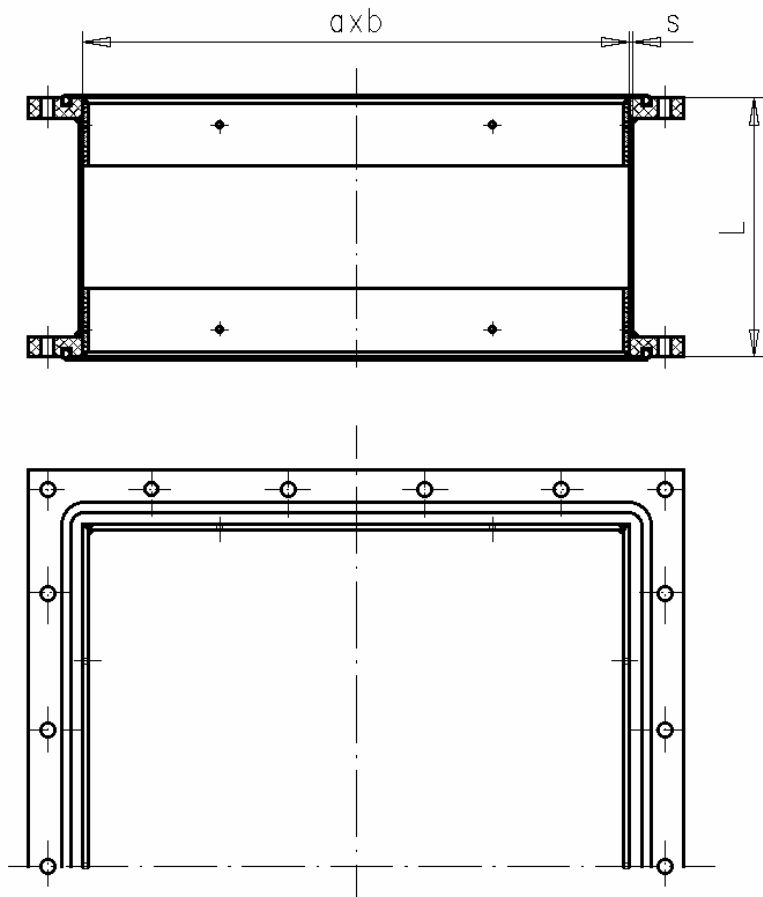


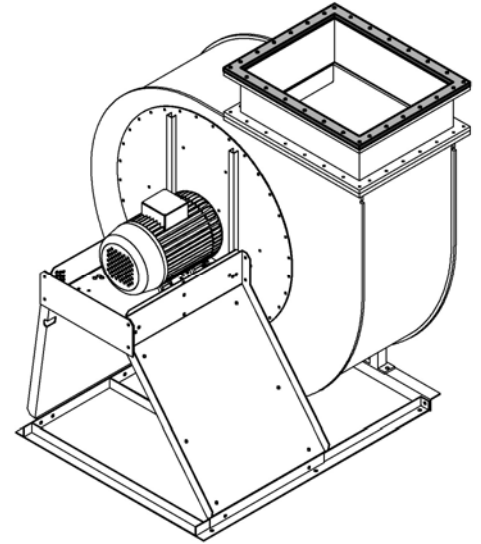
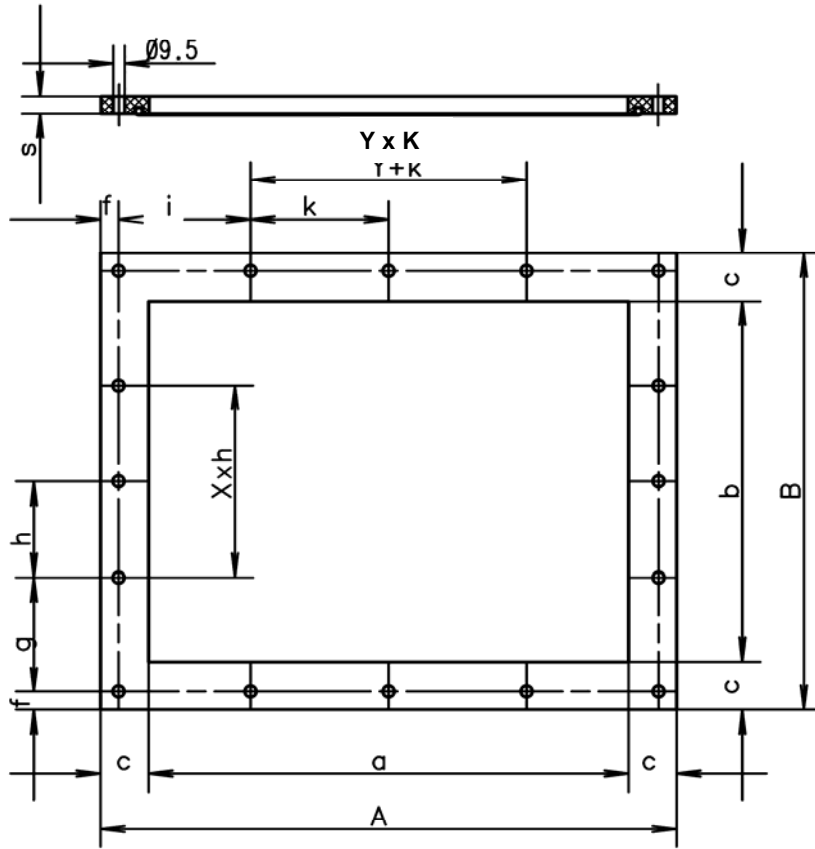
Sleeve PVC round with fixing bands, stainless


NW Ø	L	s
450-500	160	3
560-710	200	3
800-1250	250	3

Sleeve rectangular with flanges on both sides (PVC)


Fan Type CMHV	Measurements		
	a x b	L	S
450	450 x 355	190	3
500	500 x 400	190	3
560	560 x 450	240	3
630	630 x 500	240	3
710	710 x 560	240	3
800	800 x 630	290	3
900	900 x 710	290	3
1000	1000 x 800	290	3
1120	1120 x 900	290	3
1250	1250 x 1000	290	3

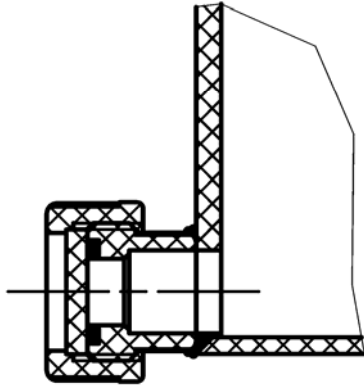
Flange rectangular PP / PPs / PPs-el / PVC / PE / PVDF



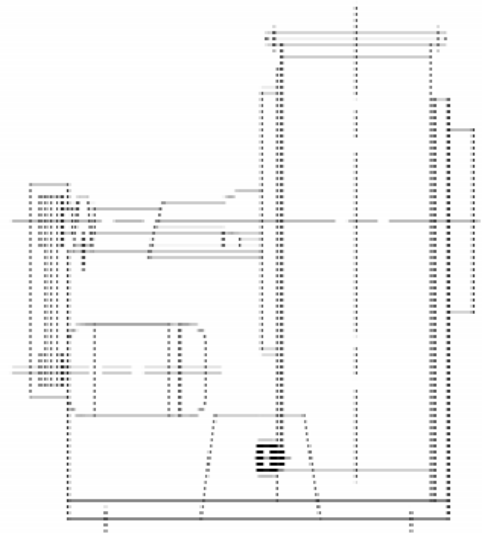
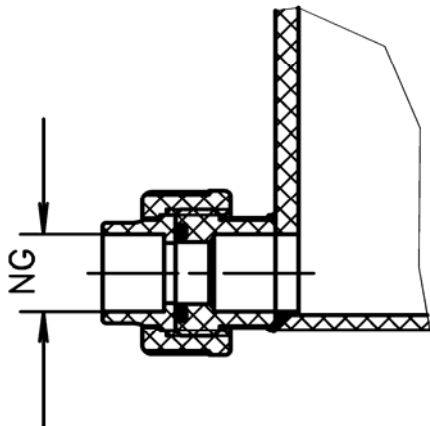
Fan Type CMHV	Measurements											
	A	B	a	b	c	s	f	g	X x h	i	Y x k	n
450	530	435	450	355	40	15	14	53,5	3x100	51	4x100	22
500	580	480	500	400	40	15	14	76	3x100	76	4x100	22
560	640	530	560	450	40	15	14	51	4x100	56	5x100	26
630	730	600	630	500	50	20	20	80	4x100	105	4x120	24
710	810	660	710	560	50	20	20	60	5x100	97,5	5x115	28
800	900	730	800	630	50	20	20	95	5x100	80	7x100	32
900	1000	810	900	710	50	20	20	85	6x100	80	8x100	36
1000	1100	900	1000	800	50	20	20	80	7x100	80	9x100	40
1120	1220	1000	1120	900	50	20	20	80	8x100	90	10x100	44
1250	1350	1100	1250	1000	50	20	20	80	9x100	105	11x100	48

Drain

TYP K

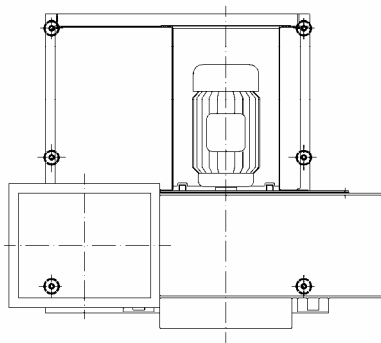
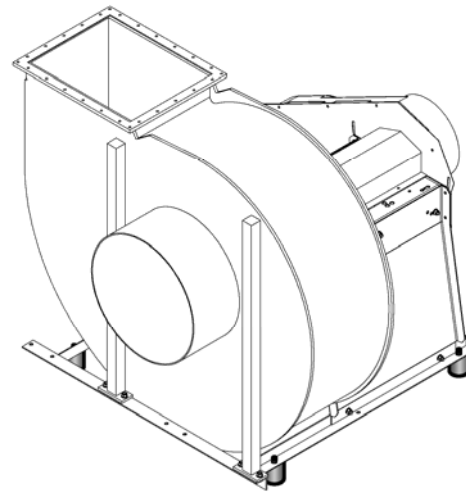
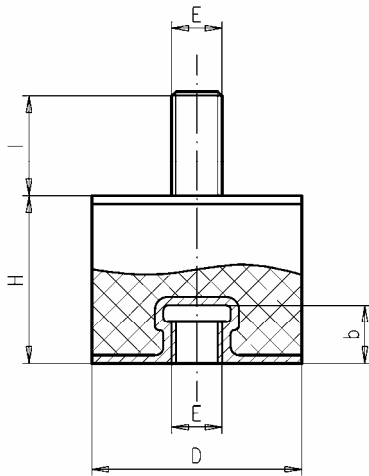


TYP V

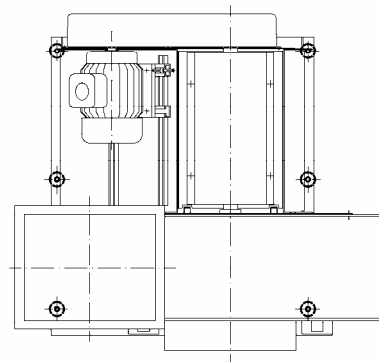


Fan Type	with cap	with fitting	NG
CMHV 450-1250	Typ K	Typ V	25

Vibration absorbers



Direct drive

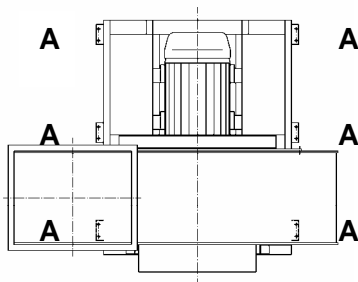
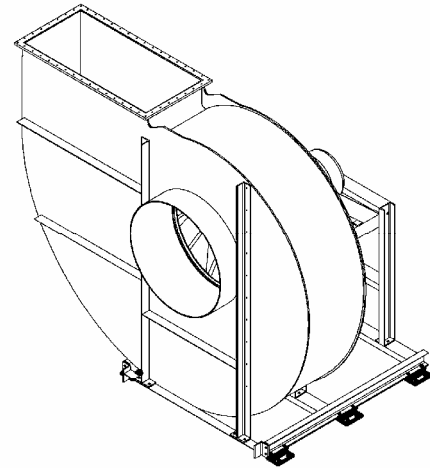
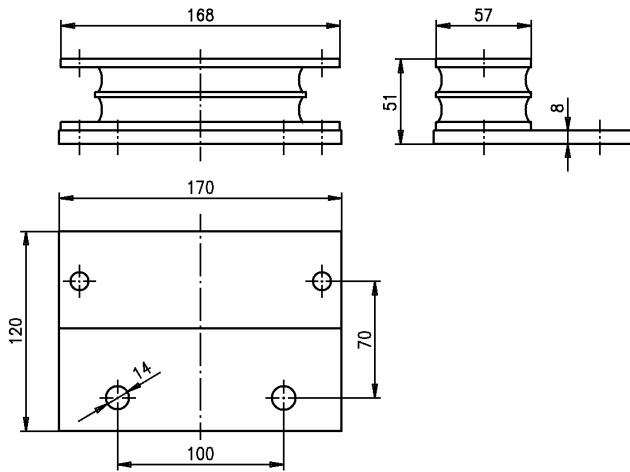


V-belt drive

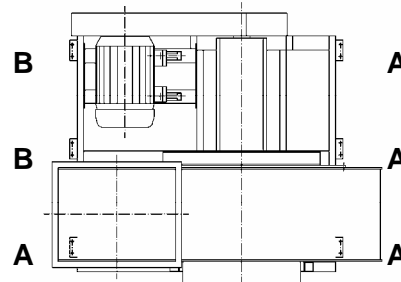
Vibration absorbers Type	Measurements				
	D	H	E	I	b
V 8/40	40	40	M8	23	7
V 8/50	50	40	M10	25	10

Fan Type CMHV		Type	Number of elements
Direct	V-belt drive		
450-560	450,500	V 8/40	4
630	560,630	V 8/50	4
710,800	710,800	V 8/50	6

Vibration absorbers

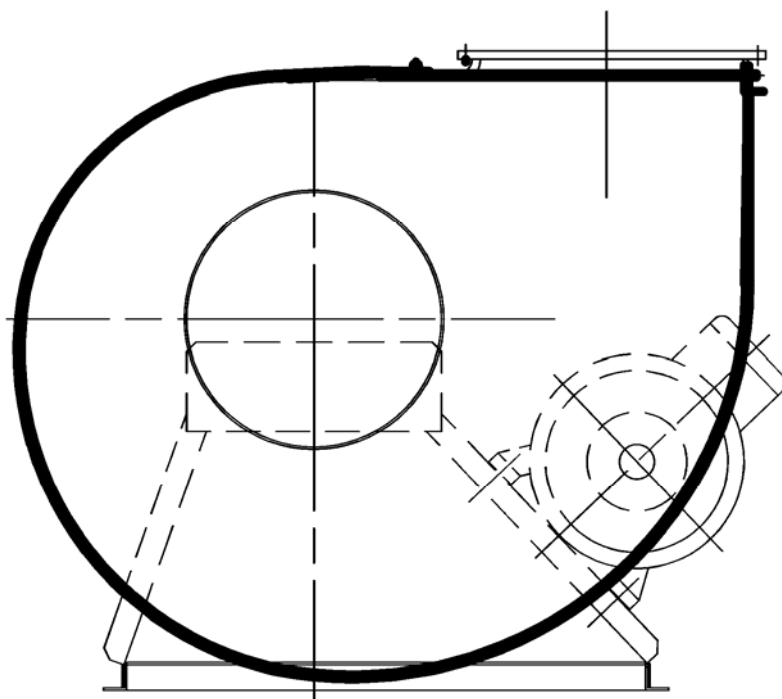


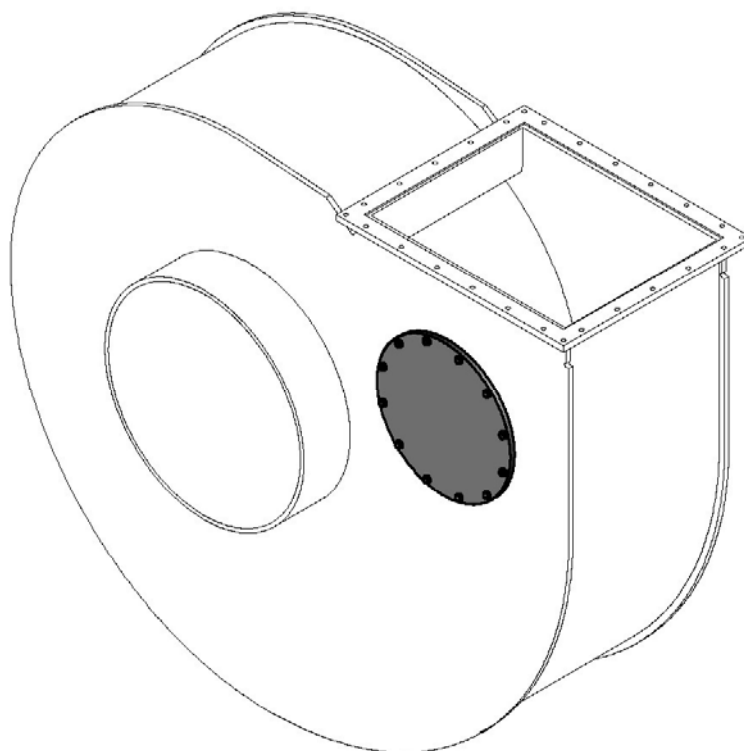
Direct drive



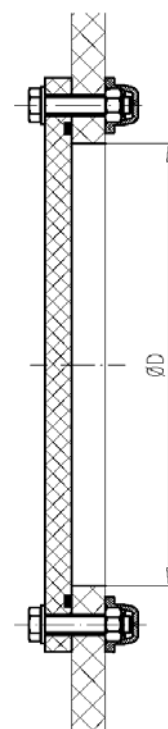
V-belt drive

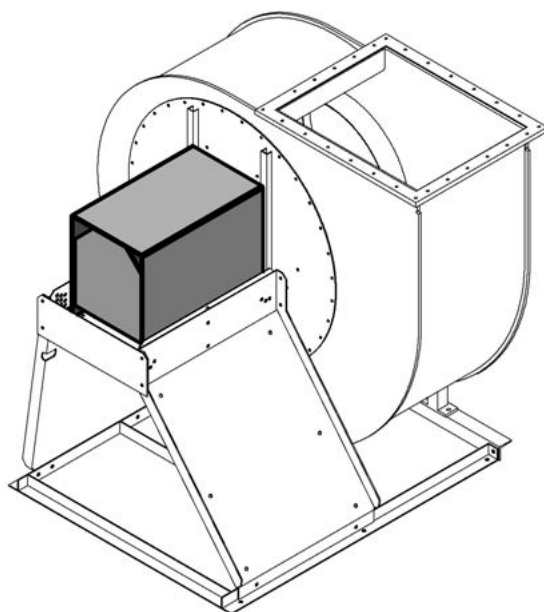
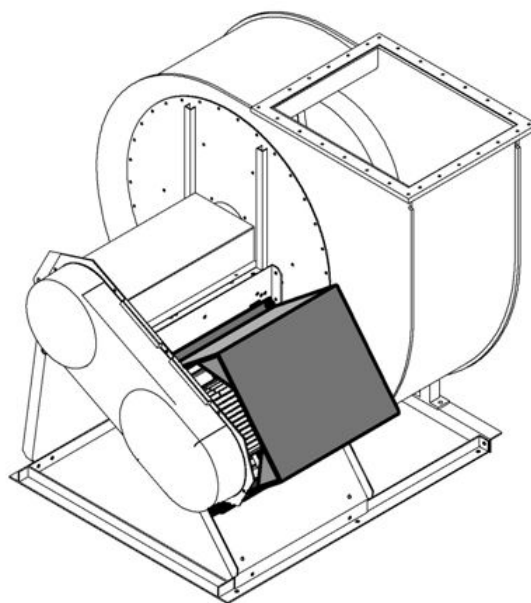
Fan Type CMHV	Motor-weight kg	Number of elements					
		Direct drive		V-belt drive			
		Position A 45°Sh	Position A 45°Sh	Position B 45°Sh	Position B 55°Sh	Position B 65°Sh	Position B 70°Sh
900	< 300	6	4	2			
	300-450	6	4		2		
	450-550	6	4			2	
1000	< 300	6	4	2			
	300-550	6	4		2		
	550-800	6	4			2	
1120	< 300	6	4	2			
	300-550	6	4		2		
	550-800	6	4			2	
1250	< 300	6	4	2			
	330-550	6	4		2		
	550-800	6	4			2	
	800-1000	6	4				2

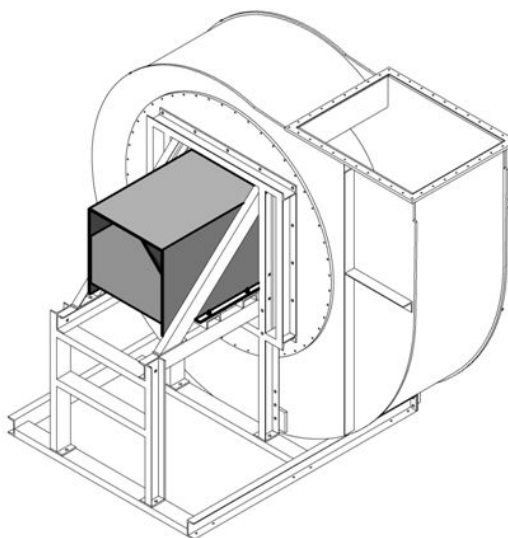
Splinter protection

Inspection hole

Fan Type	Ø D
CMHV 450-560	200
CMHV 630-1250	315



Motor cover direct drive**Motor cover v-belt drive**

Motor cover direct drive**Motor cover v-belt drive**